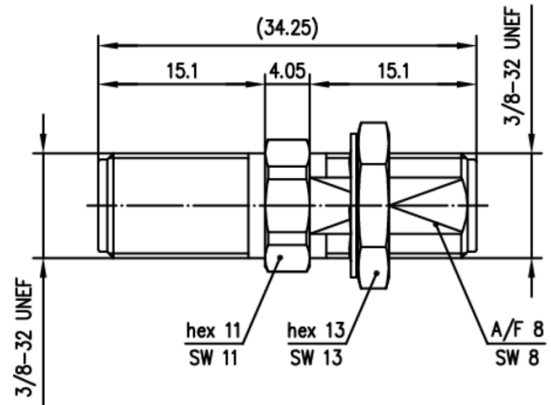


order number: J01602A0000

F Bulkhead Adaptor, f-f



Technical Attributes	
Remarks	f-f; Insulator PTFE suitable for male pin Ø 0.54-1.06
Return Loss	HDTV Type; 20 dB/3 GHz
Mount. dim.	Z02

### Product description

The F Series RF connectors from Telegärtner are designed for use up to 3 GHz and as such are ideally suitable for HDTV applications. The F series connectors have a threaded coupling mechanism; the impedance is controlled at 75 Ohm. Cable terminations are either crimp or solder designs. The F series connectors are primarily used in the transmission of analogue and digital video signals. With regards to return loss Telegärtner offers optimized types for professional applications, in particular for HDTV signal transmission, which feature excellent transmission performance up to 3 GHz respectively up to 4.5 GHz.

Mechanical Characteristics	
Durability (mating cycles)	≥ 500
Material: spring contacts	CuBe2; CuNi1Pb1P(C97)
Material: outer conductor	CuZn39Pb3
Material: other metal parts	CuZn39Pb3/ Zinc diecast
Material: insulators	PE/PTFE PE/PTFE
Finish: Inner conductor	NiP-Au
Finish: Outer conductor	CuSnZn3 (Telealloy)
Finish: Other metal parts	Cu2Ni5; CuSnZn3 (Telealloy)

Climatic Characteristics	
Climatic category acc. to IEC 60068 - 1	
Types with PTFE insulator	40/155/21
Types with PE insulator	40/75/21

Electrical Characteristics	
Contact resistance inner conductor	$\leq 5$ mOhm
Contact resistance outer conductor	$\leq 2.5$ mOhm
Insulation resistance	$\geq 1$ GOhm
Voltage proof	750 Veff/50 Hz
Impedance	75 Ohm
Frequency range up to	0 - 3 GHz
Return loss: 1 GHz	30 dB (HDTV Types)
Return loss: 2 GHz	25 dB (HDTV Types)
Return loss: 3 GHz	20 dB (HDTV Types)